

MODEL

DG



GUILLOTINE DAMPER DG

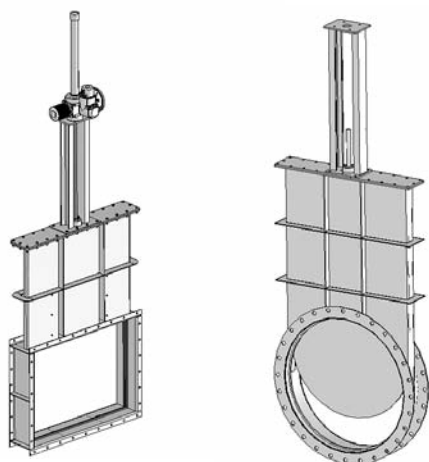
The DG model is a guillotine damper for assembly between flanges on gas conduit systems. The guillotine damper is mainly used to allow inspections, maintenance and repairs to conduits and as a cut-off valve in gas conduit systems. When the guillotine is completely open, the conduit is completely clear and therefore, there are hardly any load losses. Guillotine dampers are not recommended for regulation purposes.

The ORBINOX standard guillotine damper model is designed for operation at pressures of 100 mbar, with recommended speeds of below 30 m/s and temperatures of 600 C°.

It is a relatively airtight valve with a closing degree of between 90% and 99.5%.

The standard guillotine model is designed for assembly to be performed in such a way that the gate slides vertically, although there is the option to position them to slide horizontally on request.

STANDARD GUILLOTINE DAMPER (DG)



Description

The guillotine damper is made up of a gate which slides along metal guides, closing the conduit completely. The ends are joined to the conduits by means of flanges. The guillotine damper is normally supplied as a single part, except for applications in which the dimensions of the unit require special transport.

The body of the guillotine damper can be insulated externally using an insulated covering of

up to 200 mm, with the actuator devices remaining on the outside of said insulation.

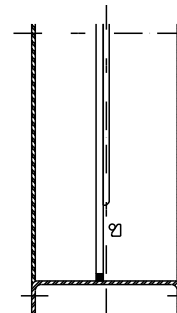
Construction

The body of the guillotine damper is a fabricated construction which can be made of different materials. The standard construction range includes diameters ranging from 150 mm (minimum) to 2000 mm although, on request, larger sizes can be constructed.

Seal design



Step seat

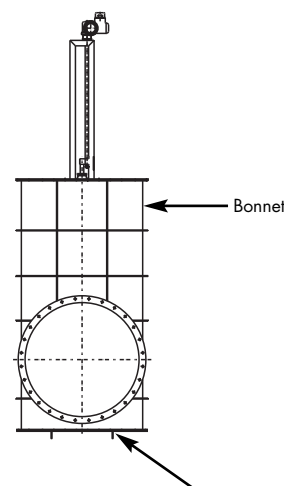


C

The guillotines have step seat (closure of 99.5%) suitable for other applications requiring a high level of air tightness.

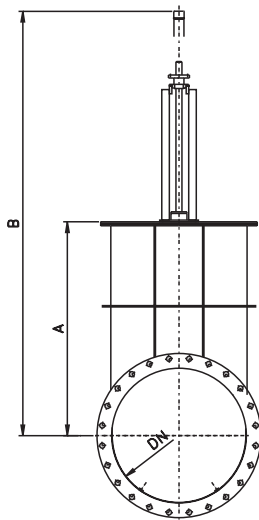
Bonnet

Guillotine dampers are normally supplied with bonnet to avoid gases escaping from the conduit. For occasions where accumulations of dust are expected at the bottom of the guillotine an inspection cover may also be provided to allow access for cleaning purposes.

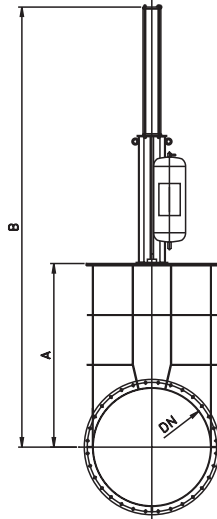


Inspection cover for cleaning accumulations of dust (optional)

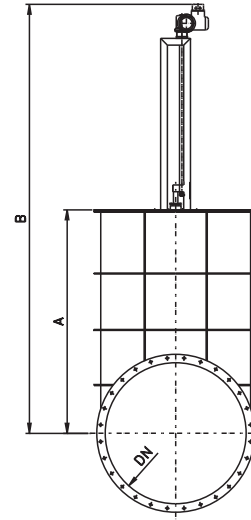
MODEL**DG**
ORBINOX
 VALVE SOLUTIONS IN MORE THAN 70 COUNTRIES

APPROXIMATE DIMENSIONS


Rising stem



Pneumatic linear



Non-rising stem

DN	A	RISING STEM		NON-RISING STEM		PNEUMATIC LINEAR	
		B	C	C	C		
200	400	950	650	950			
250	475	1125	725	1125			
300	550	1300	800	1300			
350	625	1475	875	1475			
400	700	1650	950	1650			
450	775	1825	1025	1825			
500	850	2000	1100	2000			
600	1000	2350	1250	2350			
700	1150	2700	1400	2700			
800	1300	3050	1550	3050			
900	1450	3400	1700	3400			
1000	1600	3750	1850	3750			
1200	1900	4450	2150	4450			
1400	2200	5150	2450	5150			
1600	2500	5850	2750	5850			
1800	2800	6550	3050	6550			
2000	3100	7250	3350	7250			

We reserve the right to change any data at any time depending on its criteria and without prior notice.

OBX 02/13 EDITION 3
ORBINOX S.A. Pol. Ind. s/n - 20270 ANOETA - Tel.: +34 943 698030 - Fax: +34 943 653066 - e-mail: orbinox@orbinox.com

DG-2
ORBINOX CANADA, ORBINOX USA, ORBINOX BRAZIL, ORBINOX SPAIN, ORBINOX UK, ORBINOX FRANCE, ORBINOX GERMANY, ORBINOX INDIA, ORBINOX CHINA, ORBINOX S.E.A.
www.orbinox.com