

# Model DT

## DOUBLE GATE KNIFE GATE VALVE

The DT model knife gate valve is a bi-directional valve widely used in the Pulp and Paper industry (paper recycling) and especially designed to handle high concentrated or contaminated media. In the open position, both gates are retracted into the body, assuring full flow. When the gates close, they push stock and contaminants as staples, wires, etc., out of the body and back into the flow. As a result of this double gate design, the stroke time of these valves is half of that of the conventional valves. All components subject to wear can be easily replaced

### Sizes

DN 100 to DN 600  
Larger diameters on request

### Working pressure and temperatures

DN 100 to DN 250 : 10 bar  
DN 300 to DN 400: 6 bar  
DN 450 : 5 bar  
DN 500 to DN 600: 4 bar

Carbon steel: -10°C / 80°C  
AISI 316: -20°C / 80°C

### Standard flange connection

EN 1092 PN10  
ASME B16.5 (class 150)  
Other flange connections available on request

### Directives

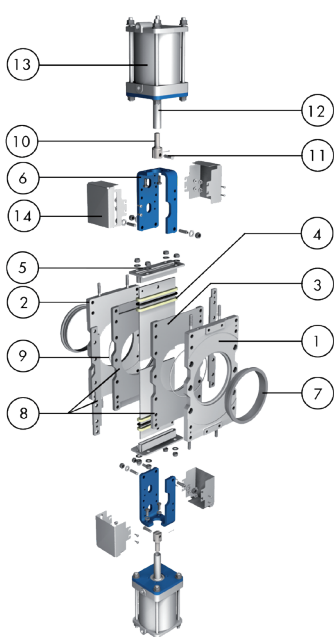
For EU Directives and other Certificates please see the document: Directives & Certificates Compliance - Knife Gate Valves –Catalogues and Datasheets

### Testing

All valves are tested prior to shipping in accordance with the standard EN-12266-1



## STANDARD PARTS LIST



Part	Description
1	Body Carbon steel / AISI 316 <sup>1</sup>
2	Counterbody Carbon steel / AISI 316 <sup>1</sup>
3	Gate AISI 304 / AISI 316 <sup>1</sup>
4	Packing PTFE Impreg. Synth. Fibre (both with an EPDM o-ring)
5	Gland follower Carbon steel / AISI 316 <sup>1</sup>
6	Yoke Carbon Steel-Epoxy Coated
7	Seat rings CF8M
8	Body liner HMW Polyethylene
9	O-ring Nitrile
10	Clevis 17-4 PH
11	Pin AISI 304
12	Piston rod AISI 304
13	Cylinder Aluminium
14	Gate guards AISI 304

<sup>1</sup> Stainless steel configuration

## DESIGN FEATURES

### Body

Cast or fabricated two-part bolted body, internally machined, with reinforcing ribs in larger diameters for extra body strength. The body is internally lined with HMW Polyethylene that provides an optimum guiding and sliding surface for the two gates when traveling. For additional safety, the port includes two stainless steel reinforced rings. Full port design for higher flow capacity and minimal pressure drop. When the valve is in the open position, both gates are retracted into the body, assuring full flow. When the gates close, they push back into the media the fluid and contaminants that might have accumulated within the body

### Gate

Oversized stainless steel gates. Gates are polished on both sides to avoid jamming and to ensure a greater seal between the gate with both packing and seat. Special abrasion resistant materials and/or thickness can be used on request

### Stem (Fig. 1)

The standard stainless steel stem offers a long corrosion resistant life. For those pneumatic actuated valves, stem linkage is provided by means of a stainless steel coupling and a pin

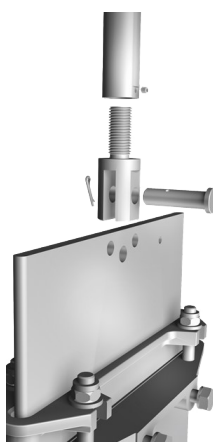


Fig.1

### Packing

Double stuffing box with several layers of braided PTFE impregnated synthetic fibre plus an EPDM o-ring, with an easy access and adjusting packing gland ensuring a tight seal. Long-life braided packing is available in a wide range of materials

### Yoke or actuator support

Made of Epoxy coated steel (stainless steel available on request). Compact design makes it extremely robust even under the most severe conditions

### Epoxy coating

The Epoxy coating on all ORBINOX cast iron and carbon steel valve bodies and components is electrostatically applied making the valves to be corrosion resistant with a high quality finished surface. The ORBINOX standard colour is RAL-5015 blue

### Gate safety protection

ORBINOX automated valves are provided with gate guards in accordance with EU Safety Standards. The design feature prevents any objects from getting caught accidentally while the gate is moving

## OTHER OPTIONS

### Other materials of construction

Ductile iron, carbon steel, special stainless steels (Duplex, ...), special alloys (254SMO, Hastelloys, ...), etc.

### Fabricated valves

ORBINOX designs, produces and delivers special fabricated valves for special process conditions (big sizes and/or high pressures)

### Surface treatments

Valve components can be protected or coated for a longer life expectancy, depending on the application of the valves and the valve service conditions. At ORBINOX we can offer alternative treatments and coatings for the different valve components to improve their properties against abrasion (Stellite, hard-chroming, carbides, ...), against corrosion and against adherence

### Square/rectangular port

Modifications on port design are possible to suit customer's needs

### Accessories for pneumatic valve automation

Limit and proximity switches, solenoid valves, positioners, flow regulations, air filter units, silencers, junction boxes

## SEAT/SEAL TYPES

Material	Max.T. (°C)	Applications
Metal / Metal PE liner	75	General
On request: Metal / Metal PTFE liner	250	High temp./Corrosion resistance

More details and other materials under request

## PACKING TYPES

Material	Max.T. (°C)	pH
PTFE impregn. synth. fiber (ST)	250	2-13
Braided PTFE (TH)	600	0-14

All types include an elastomere O-ring (same material as seal), excluding TH

## SEAT CONFIGURATIONS/DESIGNS

Type	Features
------	----------

**Metal / Metal**

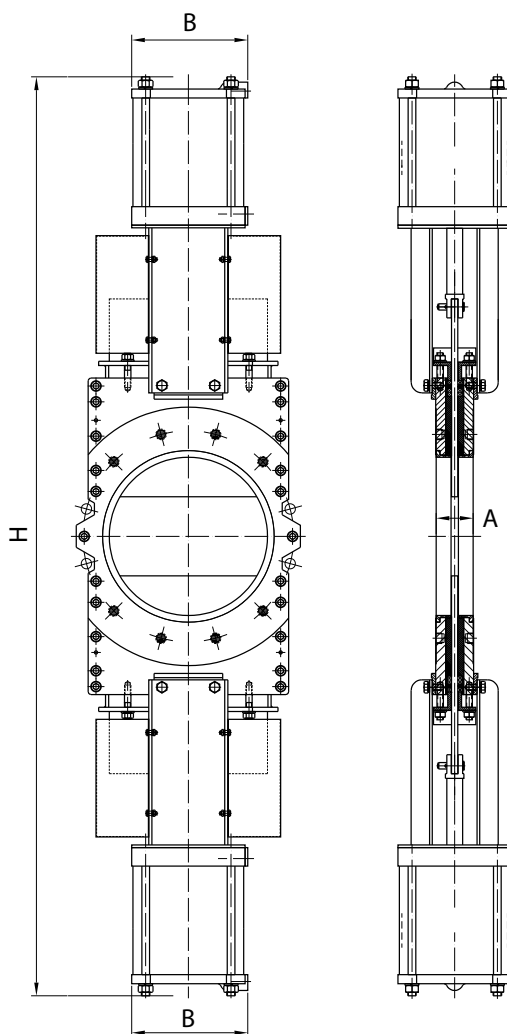
Used for applications with high temperature or applications where tight shutoff is not required. Two replaceable reinforced stainless steel rings protect the body. There is no elastomer seal. The four-piece liner (HMWPE as standard, PTFE or Nylon also available) of the body provides gate support to all sides ensuring gate guiding and sliding, as well as a good valve seal



## DOUBLE ACTING PNEUMATIC CYLINDER



With double-acting pneumatic cylinders as standard, it is available in sizes from DN 100 to DN 600. Single-acting pneumatic cylinders, manual overrides, fail-safe systems as well as a wide variety of pneumatic accessories for valve automation available. Actuator sized for 6 bar air supply, see ORBINOX Pneumatic Solutions Catalogue for more information

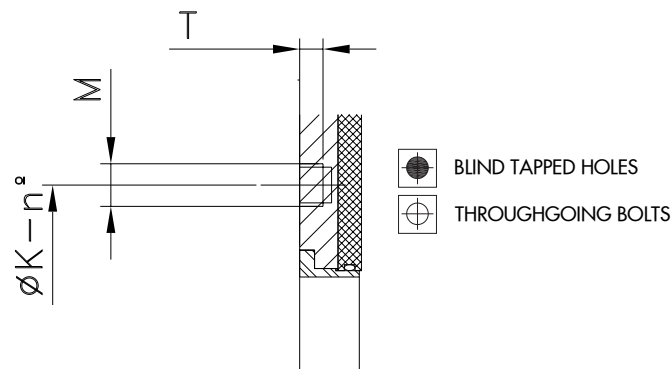
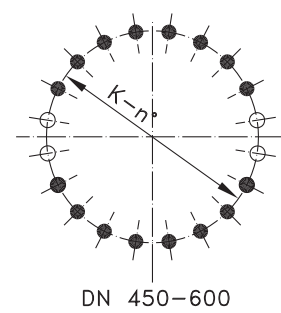
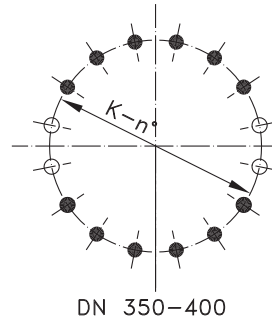
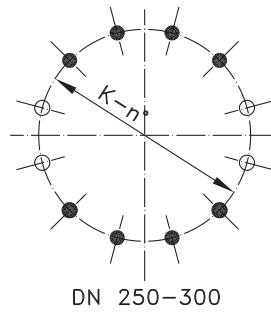
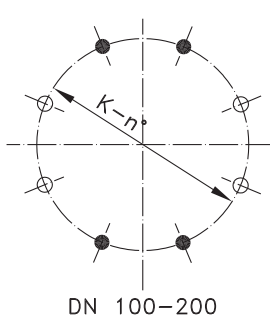
For valves installed in a horizontal position, actuator supports to plant structure is recommended




DN	A	B	H	Weight (Kg)	Connect.
100	50	115	882	48	1/4"G
125	50	140	934	56	1/4"G
150	60	140	1070	67	1/4"G
200	60	175	1310	80	1/4"G
250	70	220	1562	90	3/8"G
300	70	220	1732	160	3/8"G
350	96	277	1980	255	3/8"G
400	100	277	2140	340	3/8"G
450	106	382	2370	405	1/2"G
500	114	382	2630	490	1/2"G
600	114	382	2930	580	1/2"G

## FLANGE AND BOLTING DETAILS EN-1092 PN10

DN	K	n°	M	T	 
100	180	8	M-16	8	4-4
125	210	8	M-16	8	4-4
150	240	8	M-20	10	4-4
200	295	8	M-20	10	4-4
250	350	12	M-20	11	8-4
300	400	12	M-20	11	8-4
350	460	16	M-20	18	12-4
400	515	16	M-24	20	12-4
450	565	20	M-24	20	16-4
500	620	20	M-24	20	16-4
600	725	20	M-27	20	16-4



## FLANGE AND BOLTING DETAILS ASME B16.5, CLASS 150

DN	K	n°	M	T	
4"	7 1/2"	8	5/8" - 11 UNC	5/16"	4 - 4
5"	8 1/2"	8	3/4" - 10 UNC	5/16"	4 - 4
6"	9 1/2"	8	3/4" - 10 UNC	3/8"	4 - 4
8"	11 3/4"	8	3/4" - 10 UNC	3/8"	4 - 4
10"	14 1/4"	12	7/8" - 9 UNC	7/16"	8 - 4
12"	17"	12	7/8" - 9 UNC	7/16"	8 - 4
14"	18 3/4"	12	1" - 8 UNC	11/16"	8 - 4
16"	21 1/4"	16	1" - 8 UNC	13/16"	12 - 4
18"	22 3/4"	16	1 1/8" - 7 UNC	13/16"	12 - 4
20"	25"	20	1 1/8" - 7 UNC	13/16"	16 - 4
24"	29 1/2"	20	1 1/4" - 7 UNC	13/16"	16 - 4

