

MODEL**RM**

TILTING DISC CHECK VALVE

The RM model is a reliable metal seated check valve with oblique seating angle widely used in industries such as:

- Pulp and Paper
- Wastewater Treatment Plants
- Food and Beverage
- etc.

Main features:

- Suitable for all the standard flanges
- Short Face to Face
- Excellent tightness according to API 598
- Low pressure drop and opening pressure
- Quick closing reaction (oblique seating) which reduces water hammer
- As an option auxiliary spring increases the closing reaction

Sizes:

DN 40 to DN 900 (larger diameters on request)

Working pressure:

DN 40 to DN 300: 40 bar

DN 350 to DN 600: 25 bar

DN 700 to DN 900: 10 bar

Standard flange connection:

EN1092 PN 10/16/25/40

ANSI B16.5 (class 150)

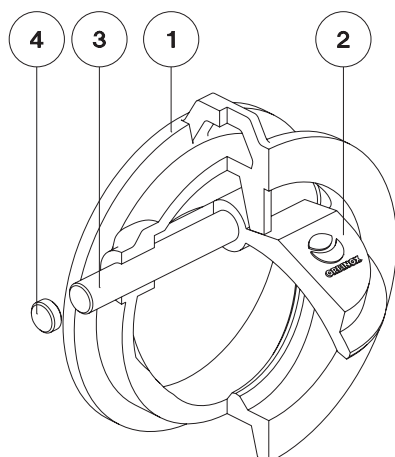
Other flange connections are available on request

Face to face dimensions are according to EN 558-1 (Serie 16)

According to directives:

DIR 2014/68/EU (PED) Directive Categorie I Module A Fluid Group 2(b). Categorie II/III, under request.

All valves are tested prior to shipping in accordance with the standard developed by the Quality Control Department at ORBINOX.



STANDARD PARTS LIST

Part:	Stainless steel:
1- Body	CF8M
2- Disc	CF8M
3- Shaft	AISI 316
4- Cover	AISI 316

MODEL

RM

DESIGN FEATURES

BODY

Wafer style cast monoblock.

Cast-in lift eye starting from DN 200 for easier installation.

DISC

Cast circular, of lightweight designed for maximum strength and low inertia shape.

SHAFT

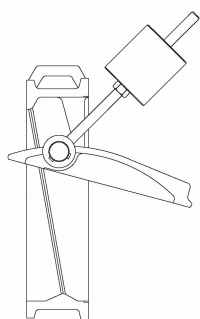
Stainless steel heavy stub shafts are positioned to give maximum strength and accurate guiding to the tilting disc.

One-piece design for diameters up to DN 200, two piece for diameters over DN 250.

Seal welded covers on the exterior of the valve body.



OTHER OPTIONS



AUXILIARY SPRING

Accelerates the speed of closing.

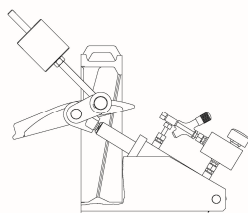
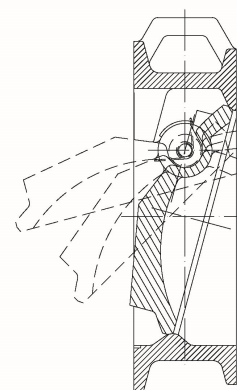
OTHER MATERIALS OF CONSTRUCTION

Special alloys such as AISI 317, 254SMO, Hastelloys, ...

FABRICATED VALVES

ORBINOX is equipped for in house fabrication of special valves.

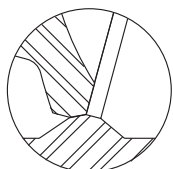
Depending on the design, diameter, pressures, material of construction,...



COUNTERWEIGHT WITH OR WITHOUT HYDRAULIC DAMPER

It is normally used in pumping stations to reduce the water hammer effect. Application of these systems requires previous study of the installation characteristics. In these cases contact technical department is recommended.

SEAT TYPE

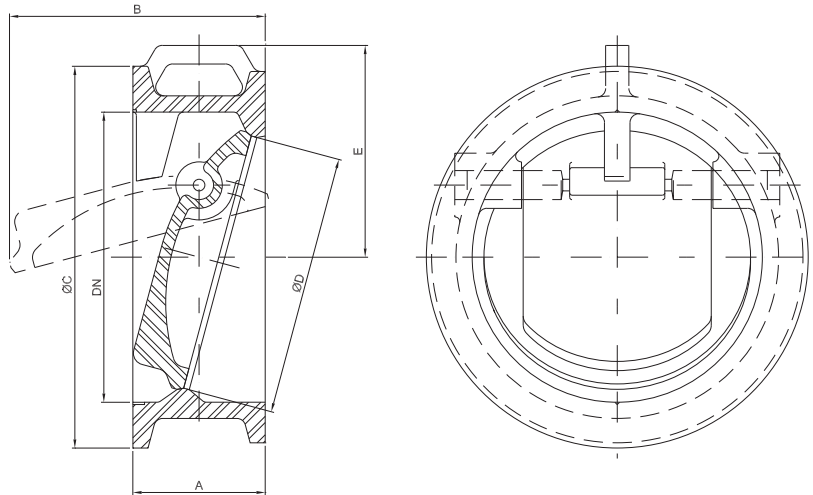


METAL / METAL (standard)

The sealing is effected by precision machined seats in the body and the disc edge.

SPECIFICATIONS

- The RM check valve consists of:
 - Body
 - Disc
 - Shaft
 - Covers
- Sizes: DN 40 to DN 900
- Options (on request):
 - Auxiliary spring
 - Counterweight, with or without dashpot



DN	A	B	Ø C	Ø D	E	Weight (kg.)
40	33	45	84	34	-	0,8
50	43	54	102,5	44	-	1
65	46	64	121,5	58	-	2
80	64	85	134,5	72	-	3
100	64	98	162	90	-	4,5
125	70	116,5	192	112	-	6,5
150	76	136	219	135	-	7,5
200	89	222,5	273	180	155	15
250	114	221	329	225	182,5	26,5
300	114	251	378	270	210	33,5
350	127	294	438	315	240	54
400	140	340	489	365	275	65,5
450	152	370	540	410	300	92
500	152	405	594	460	325	110
600	178	497	696	555	390	178
700	229	616	800	650	460	245
750	229	613	880	650	485	310
800	241	675	917	745	515	385
900	241	750	1012	835	562	445