

MODEL

RC/RR



RR AND RC FLAP GATE SELECTION FORM

Customer: Tag No.: Date: Order Number: Qty.:

FLAP GATE DESIGN

Units: mm inch

RR: Round Flap Gate

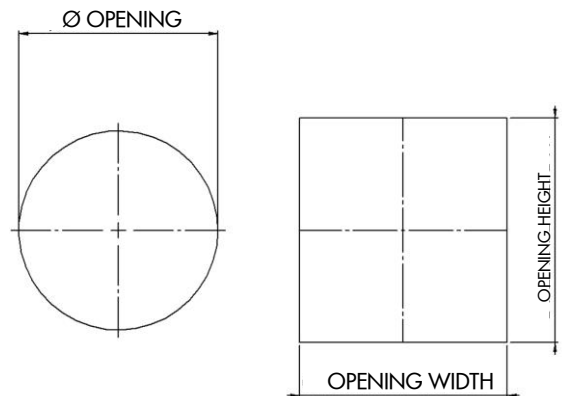
Opening diameter:

RC: Square Flap Gate

Opening Width:

Opening Height:

Seating Water Head:



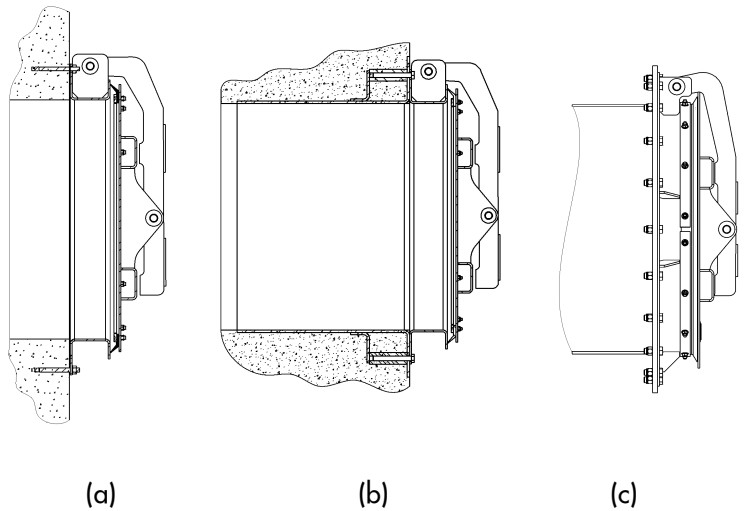
MOUNTING OPTIONS

- Wall Mounted (a)
Wall Thimble Mounted (b)
Std. Flange Mounted (c)

Flange Type:

Other:

Empty rectangular box for additional mounting options.



MATERIALS

Frame & Flap Seal 304L SS 316L SS Other: EPDM Other:

REMARKS

Name: Signature: